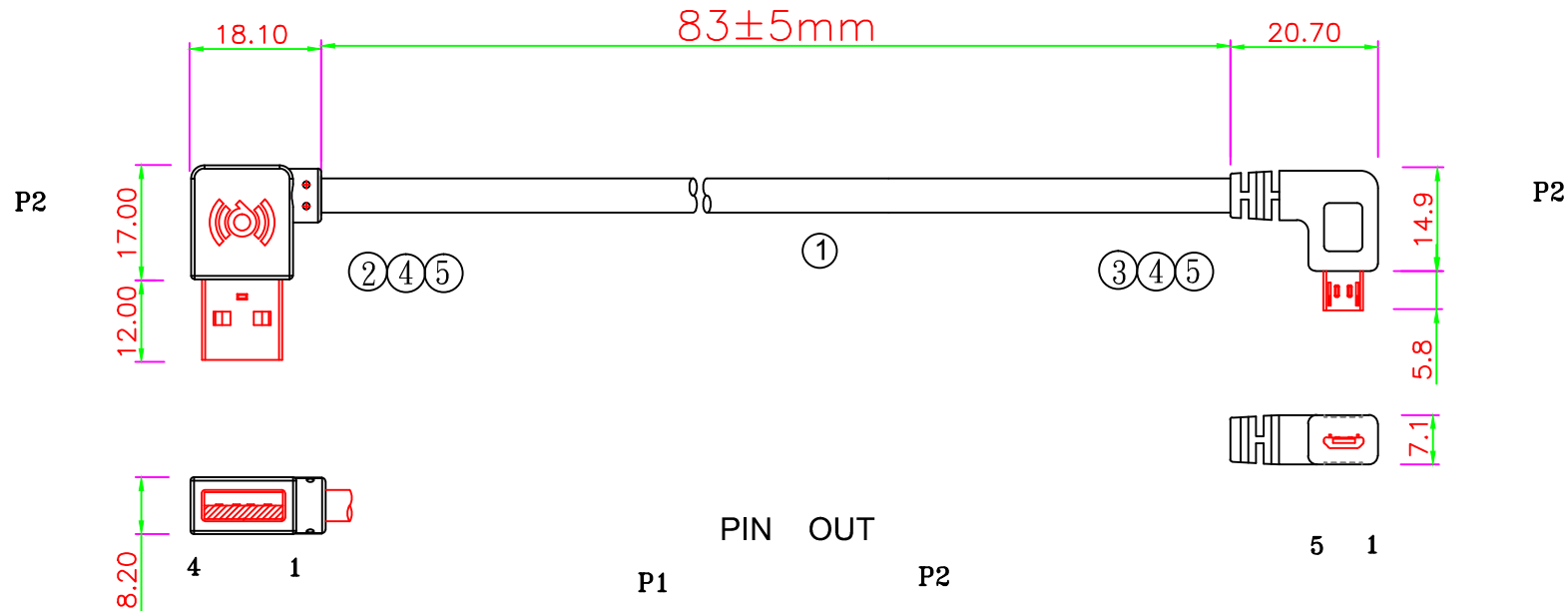


ROHS COMPLIANT

|         |      |             |      |       |
|---------|------|-------------|------|-------|
| ECN. NO | REV. | DESCRIPTION | DATE | APP'D |
|         |      |             |      |       |



| PIN OUT         |       |
|-----------------|-------|
| P1              | P2    |
| 1 — RED —       | 1     |
| 2 — WHITE —     | 2     |
| 3 — GREEN —     | 3     |
| 4 — BLACK —     | 5     |
| SHELL — BRAID — | SHELL |

Note:  
 1.Electronic Test(Electrical Performance):  
 100% Open & Short & Mis-wire Test  
 Conductive Resistance: 3 OHM Max.  
 Insulation Voltage: 300V DC/10ms.  
 Insulation Resistance: 5m OHMS Min.  
 All Test Duability: 0.3 SEC.  
 2.ROHS Compliant Certified.  
 3.One cable per polybag.

| No. | Part No  | Titel   | Description                                       | Q'ty | Unit |
|-----|----------|---------|---------------------------------------------------|------|------|
| 7   |          |         |                                                   |      |      |
| 6   |          |         |                                                   |      |      |
| 5   | M0000021 | Molding | 45P Black color Out molding                       | 40   | g    |
| 4   | M0001020 | Molding | PE                                                | 15   | g    |
| 3   | C0202678 | Conn.   | Micro USB-5p Pin G/F,Shell Gold Plated            | 1    | PCS  |
| 2   | C0200011 | Conn.1  | USB2.0 Type AM Contact Pin G/F,Shello Gold Plated | 1    | PCS  |
| 1   | C2001980 | Cable   | UL2725 28AWG*1p+28*2c Black OD3.5mm               | 105  | mm   |

STC ELECTRONIC(Hongkong) CO.,LTD

|                                                    |             |                       |                              |                    |
|----------------------------------------------------|-------------|-----------------------|------------------------------|--------------------|
| TITLE: Left Micro usb to left USB 83cm-Gold Plated |             |                       |                              |                    |
| DRAW:                                              | Jack        | CUSTOMER:<br>LET (HK) | STC P/N:<br>STC20210331UM83G |                    |
| CHECK:                                             | ZHANG. Y    | Customer P/N:         | Rev:<br>A/0                  | Rev:               |
|                                                    | UNIT:<br>MM | SHEET:<br>1/1         | WEIGHT:                      | DATE:<br>2021.7.13 |

Autodesk

Autodesk

Autodesk