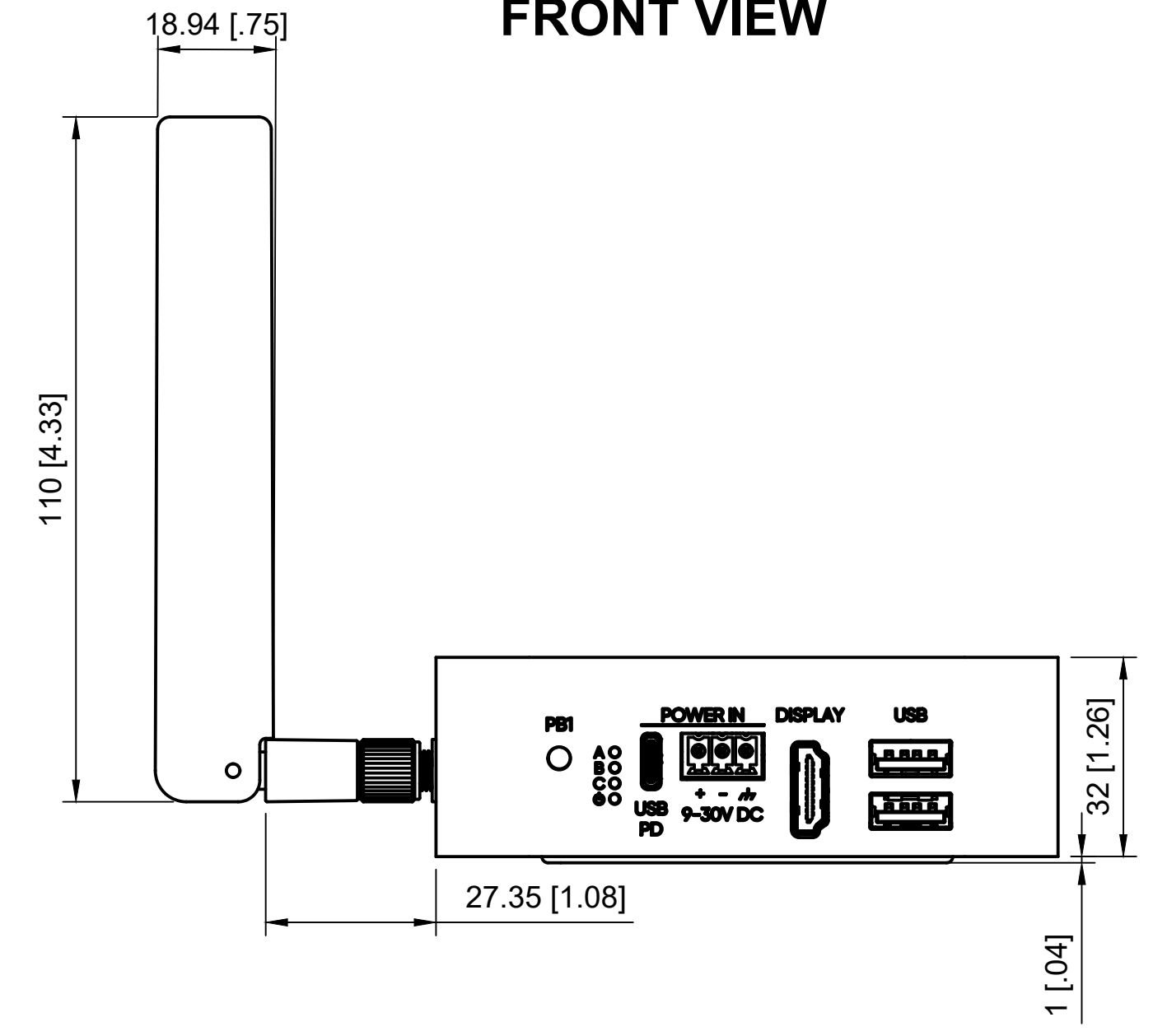
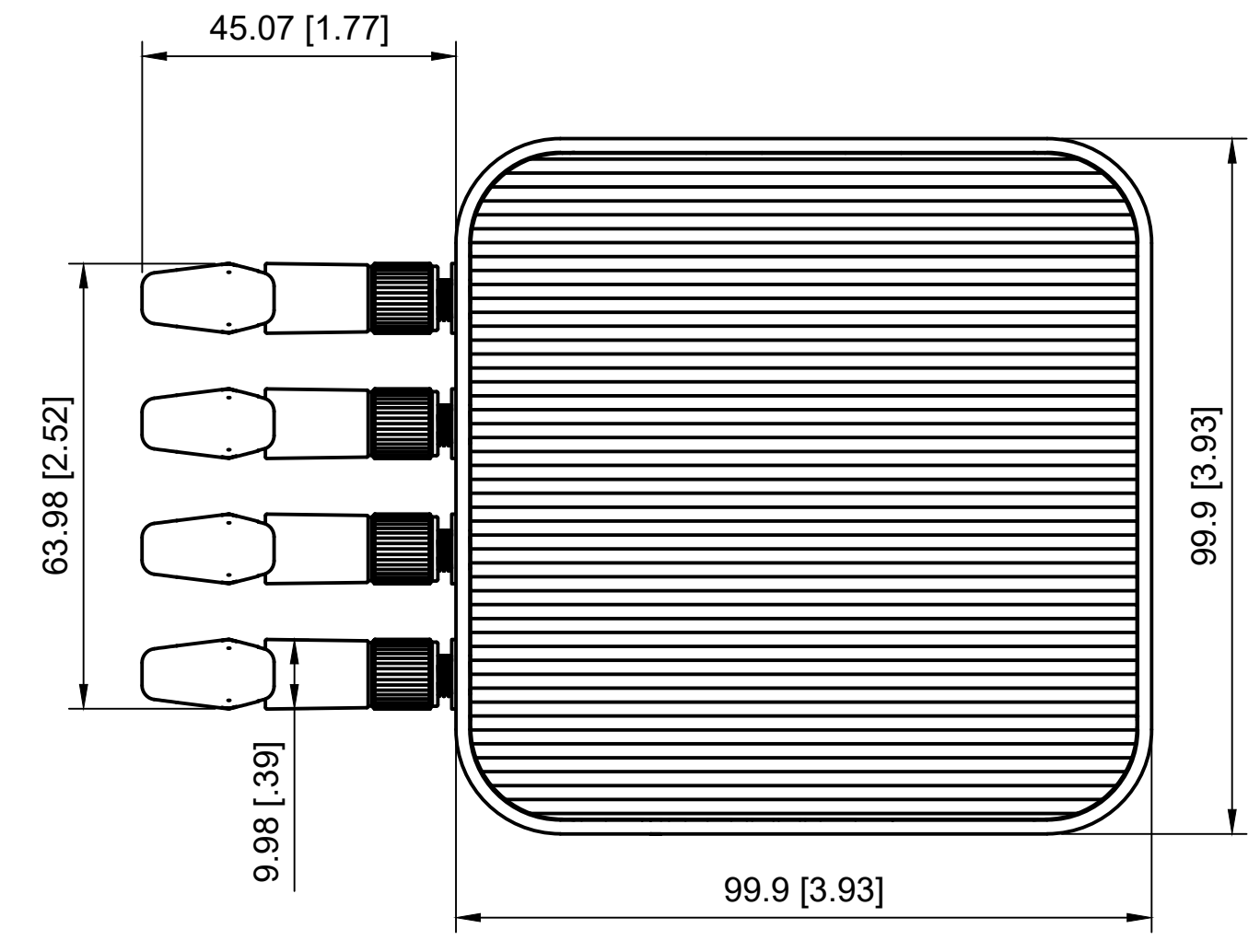


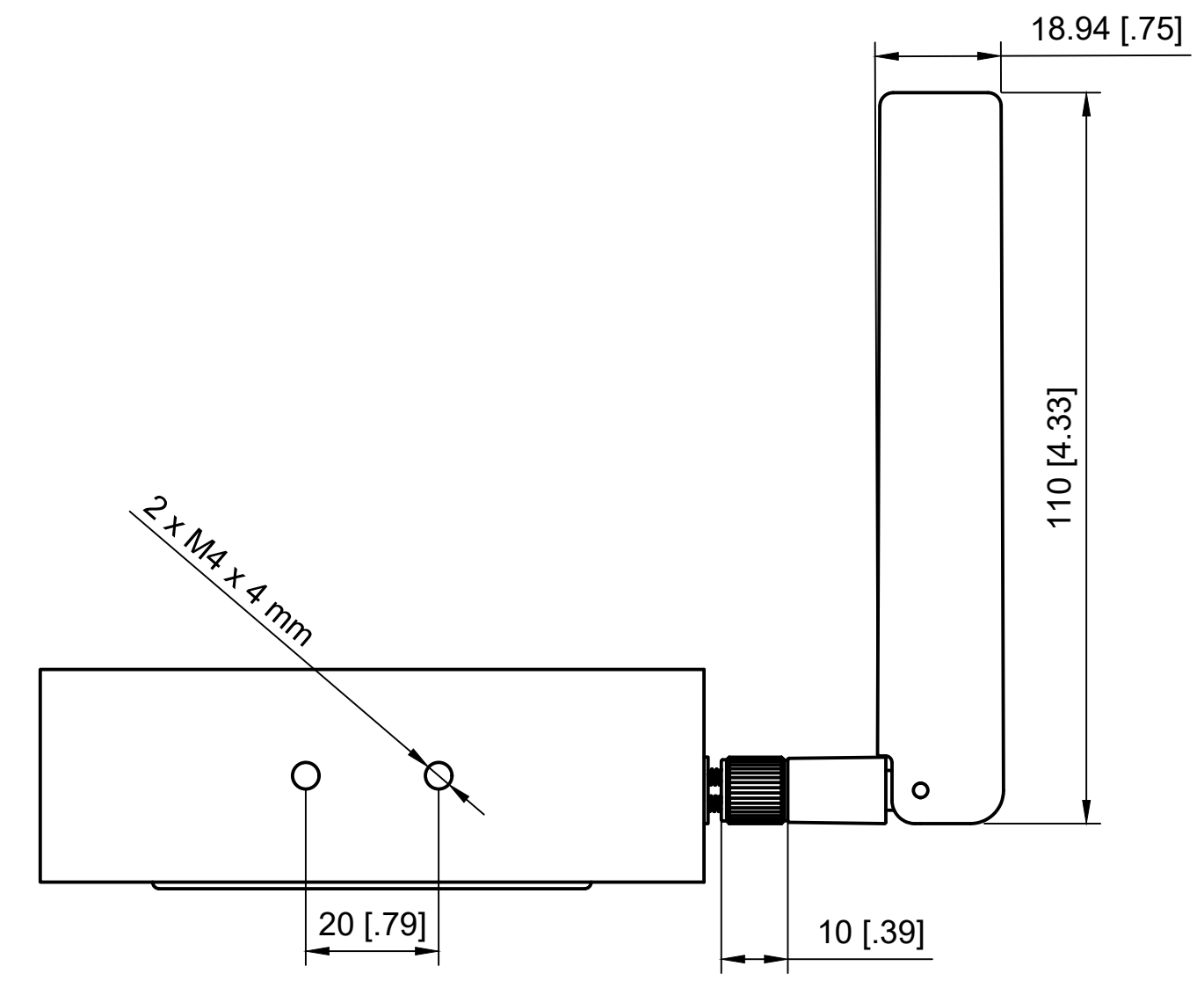
FRONT VIEW



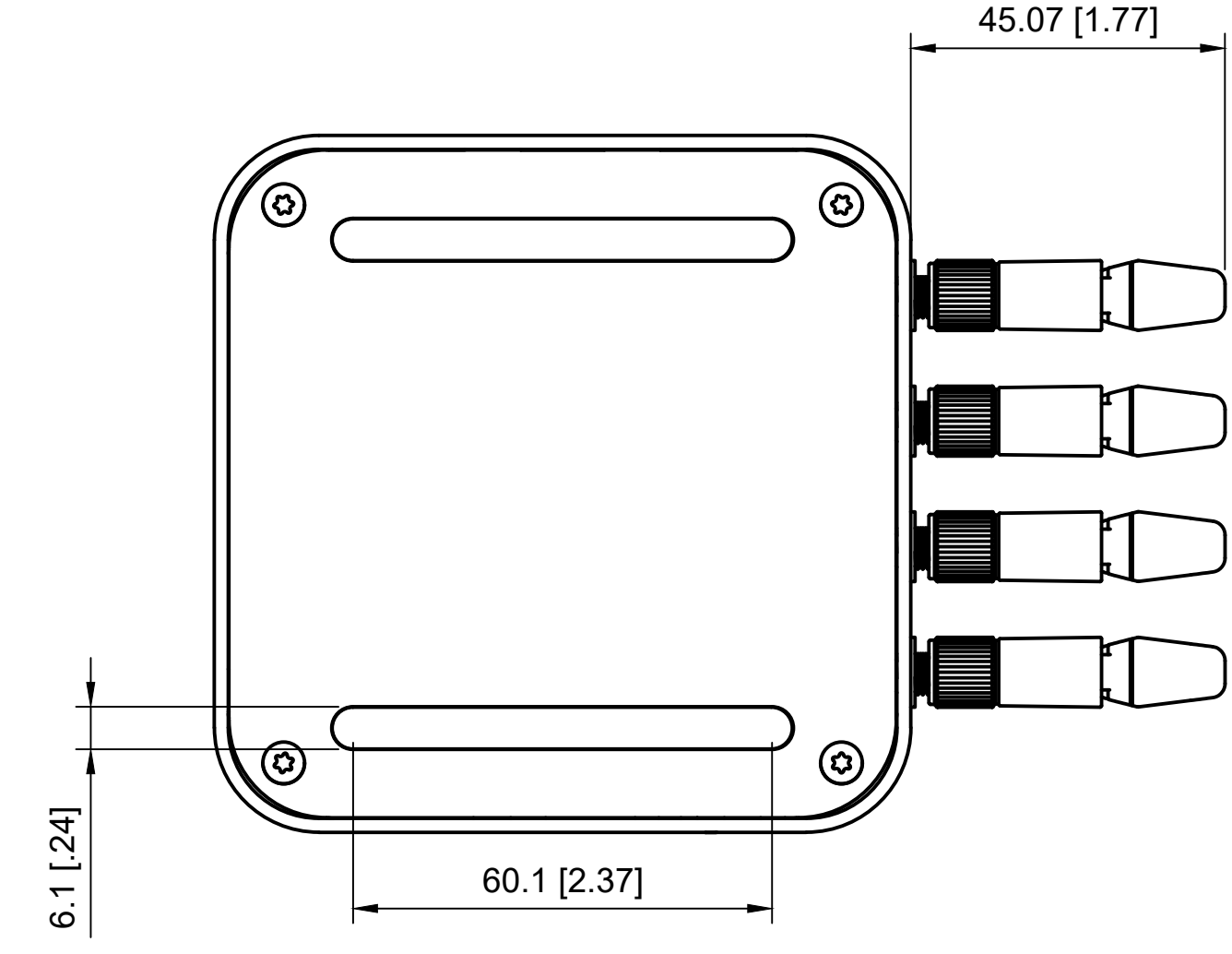
TOP VIEW



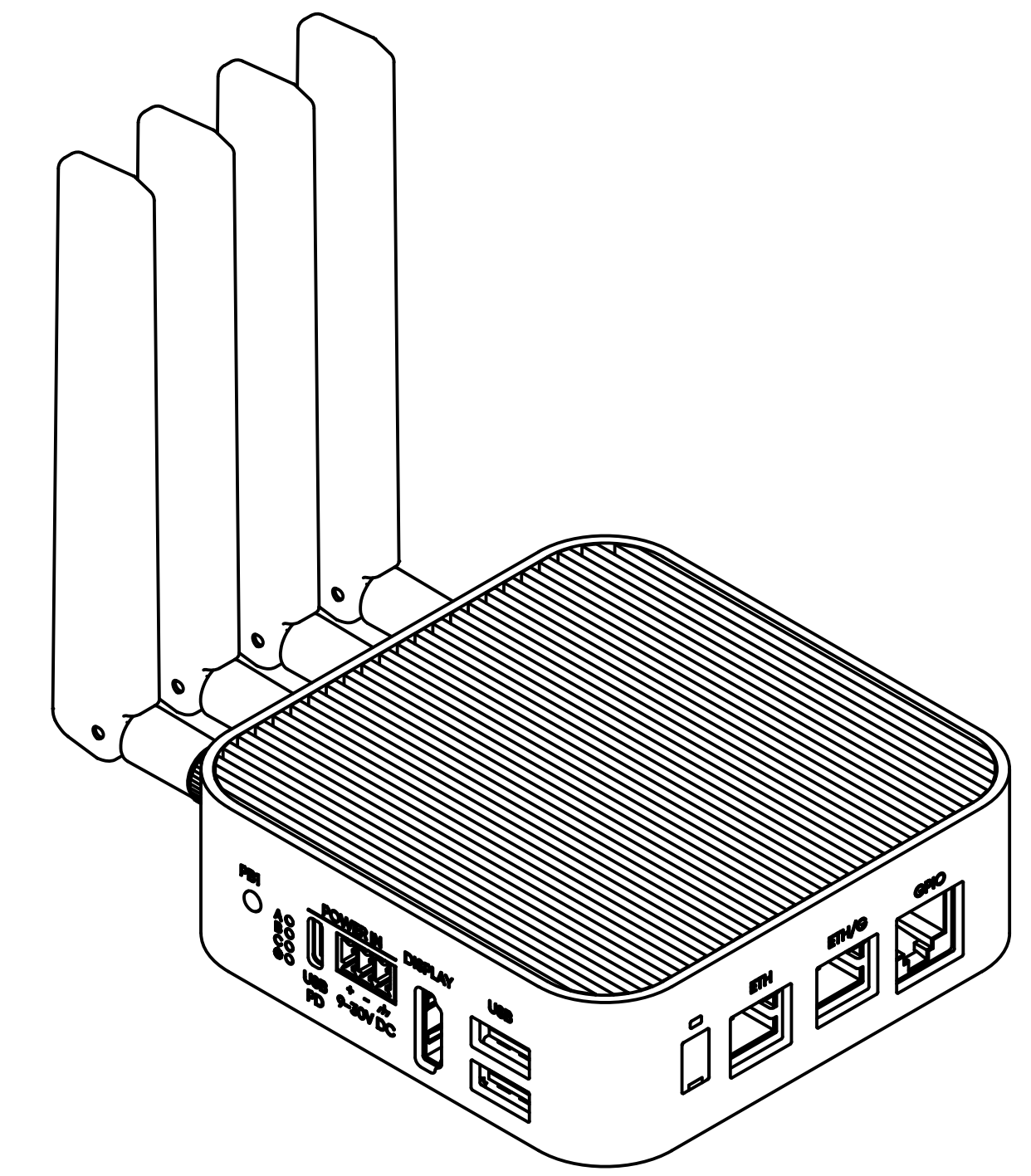
BACK VIEW



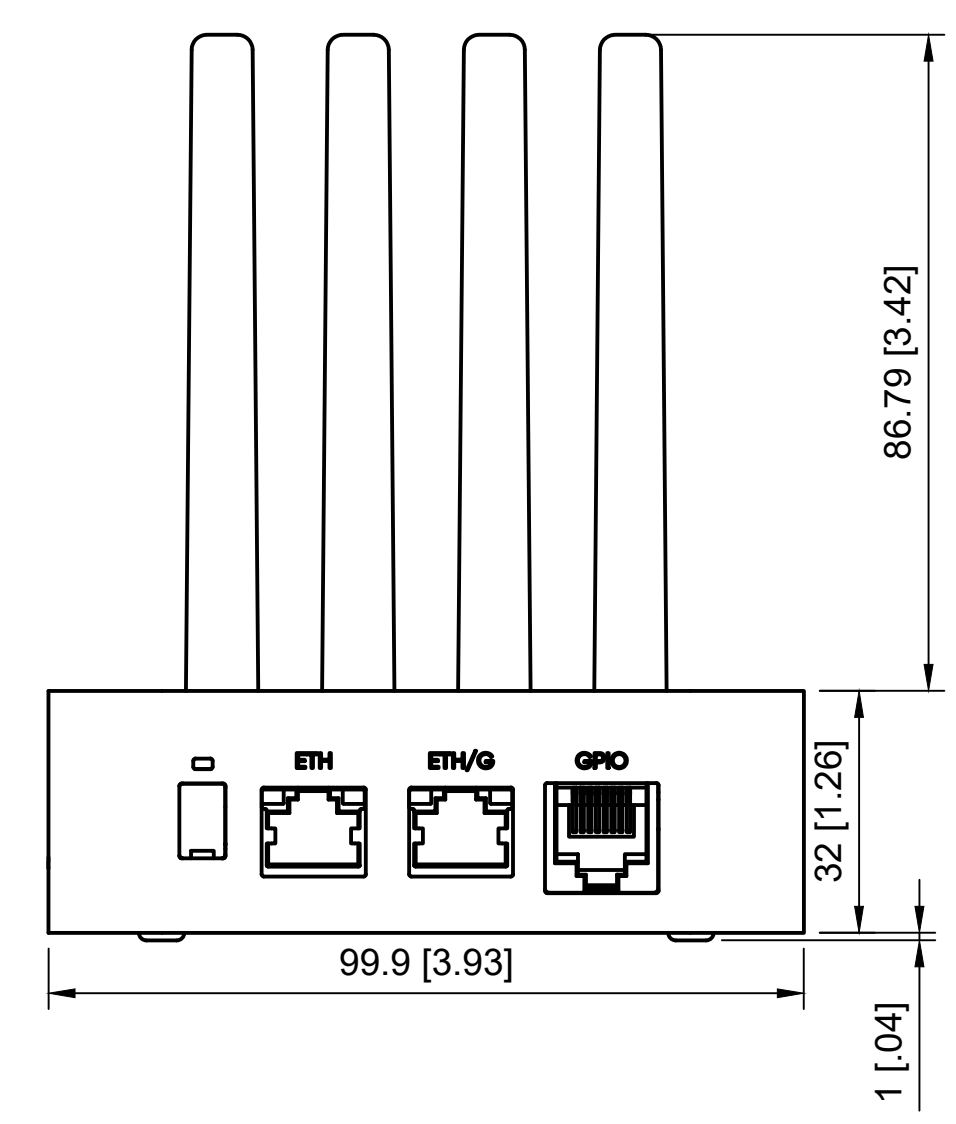
BOTTOM VIEW



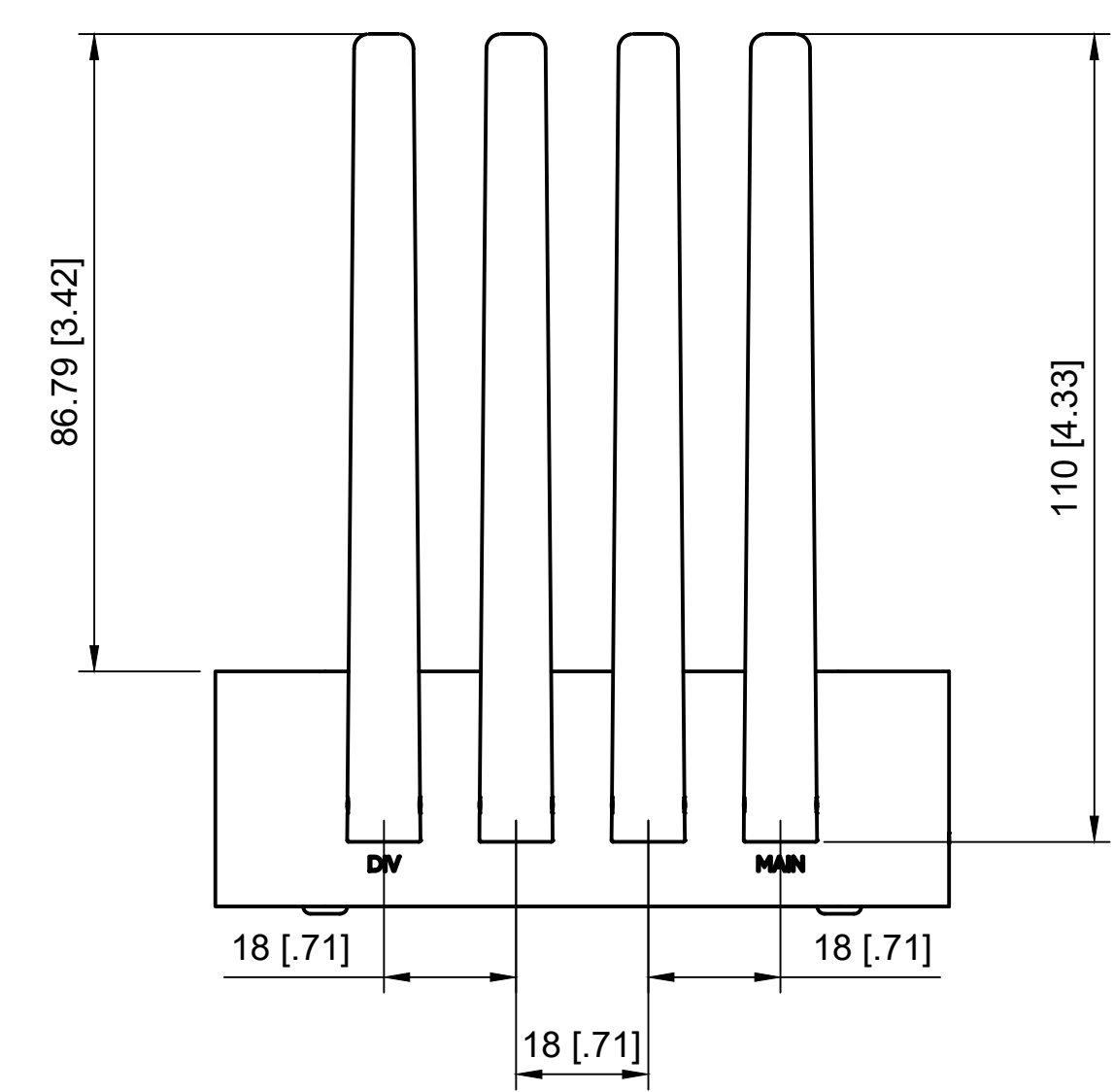
3D ISOMETRIC VIEW



RIGHT VIEW

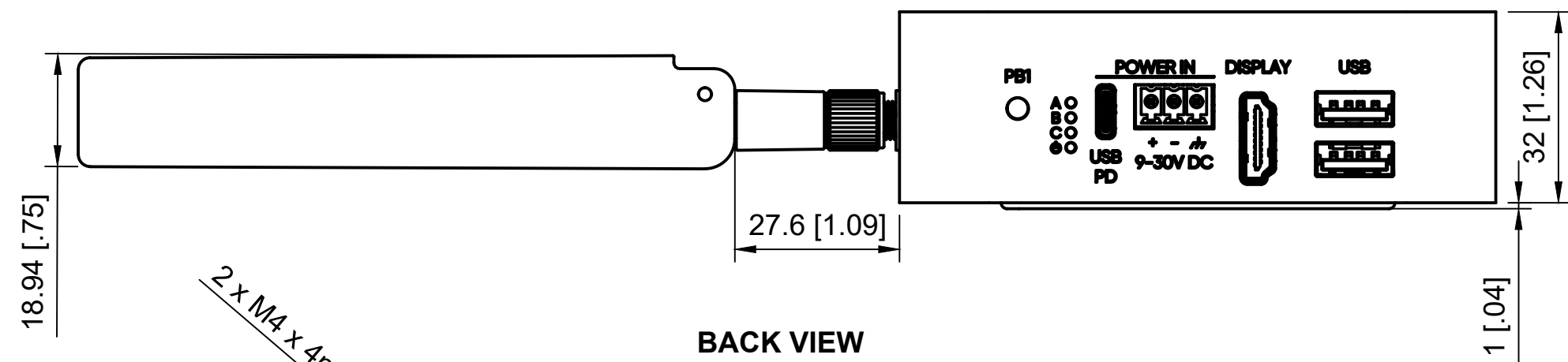


LEFT VIEW

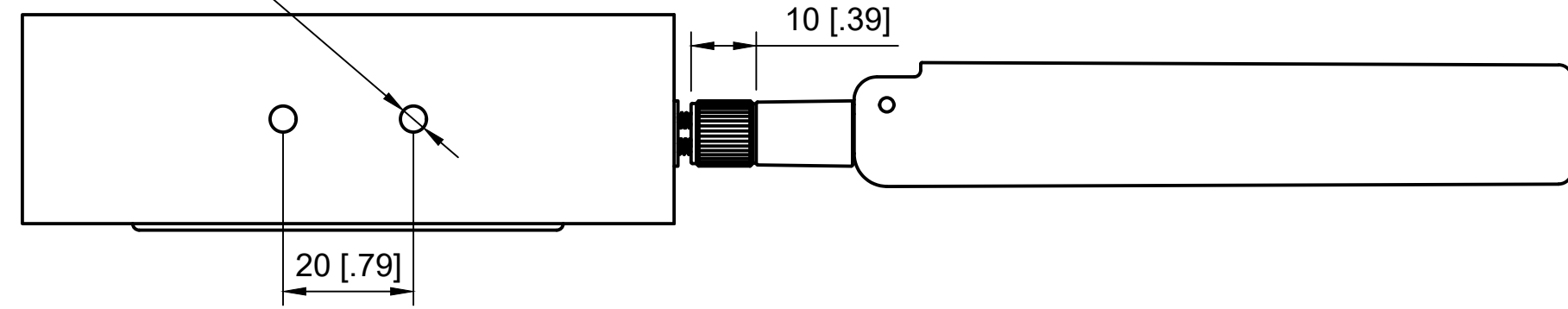


THIS DRAWING CONTAINS INFORMATION THAT IS PROPRIETARY TO SIXFAB INC AND SHOULD NOT BE USED WITHOUT WRITTEN PERMISSION					
Scale	Dimensions Units	Created by	Approved by		
1 : 1	mm [in]	Muhammed Aslan 10/24/24	Ensar Karabudak 10/24/24		
General Tolerance			Third Angle Projection		
[0.1]					
Title			Documents Number		
ALPON X4					
Rev.	Size	Sheet			
1		1/1			

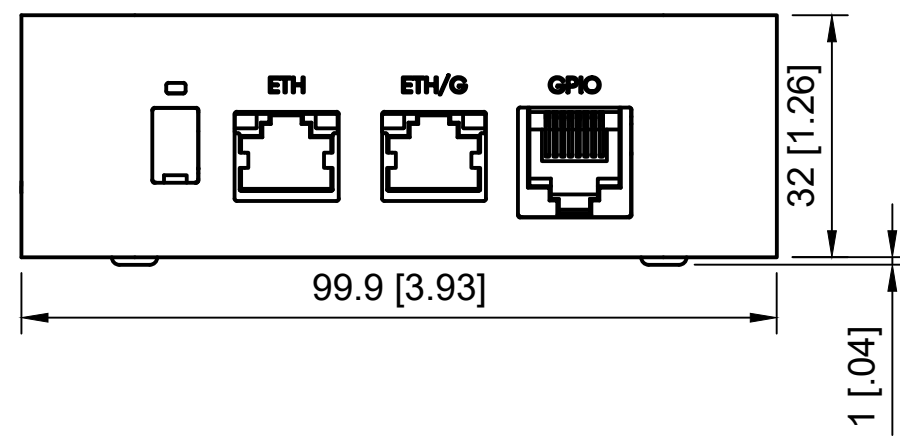
FRONT VIEW



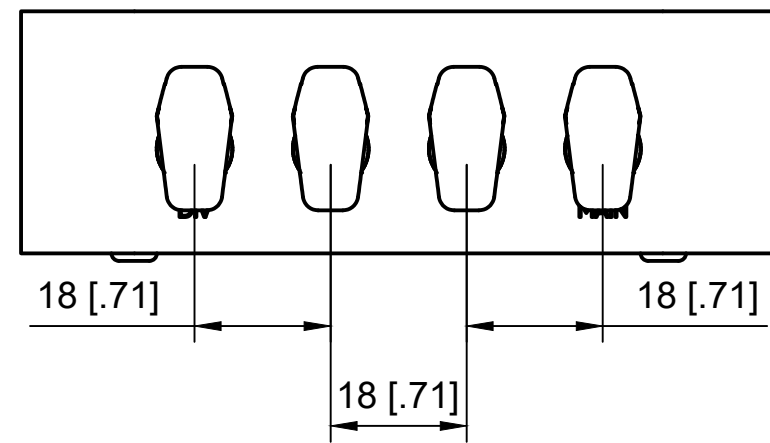
BACK VIEW



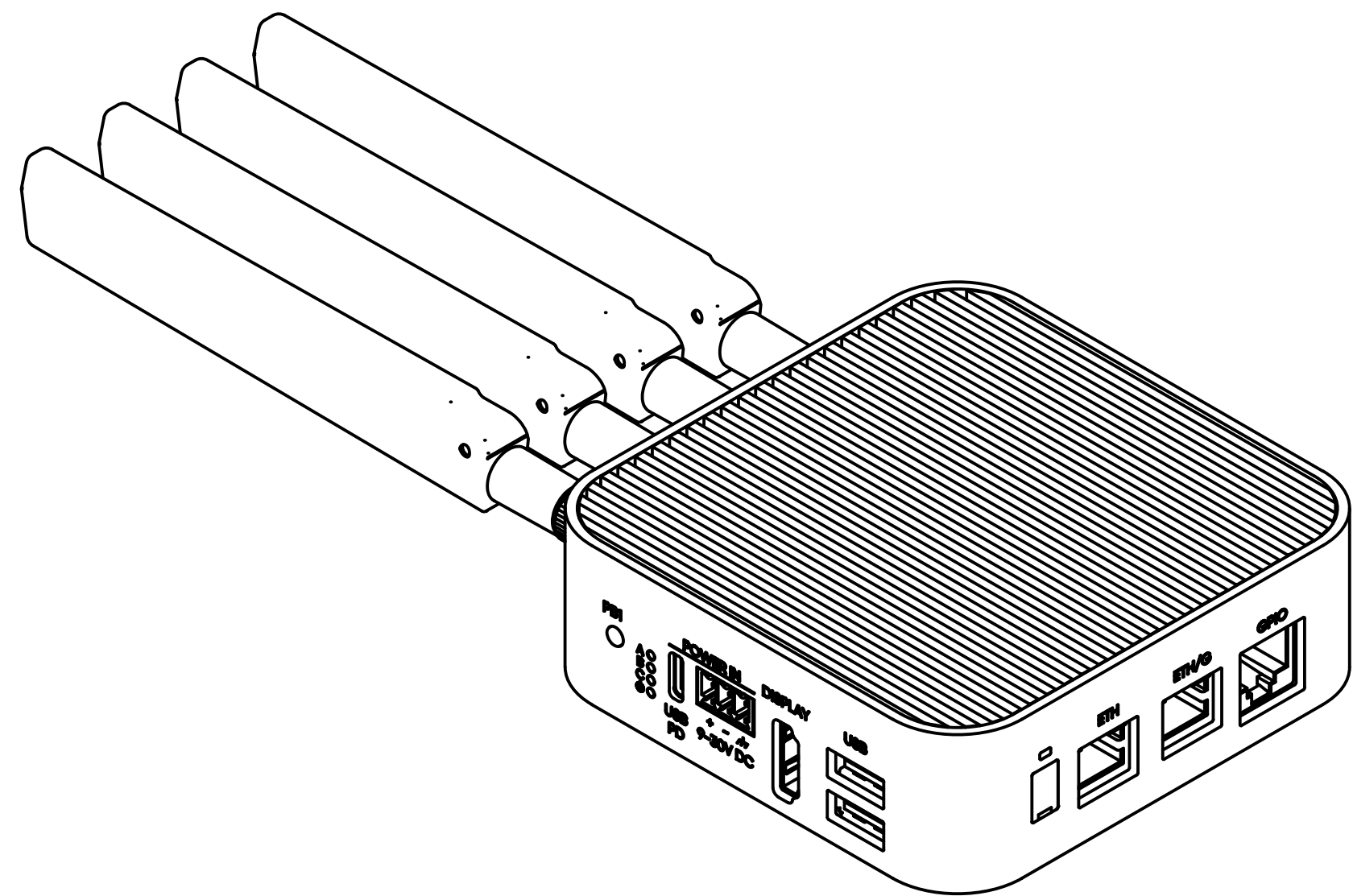
RIGHT VIEW



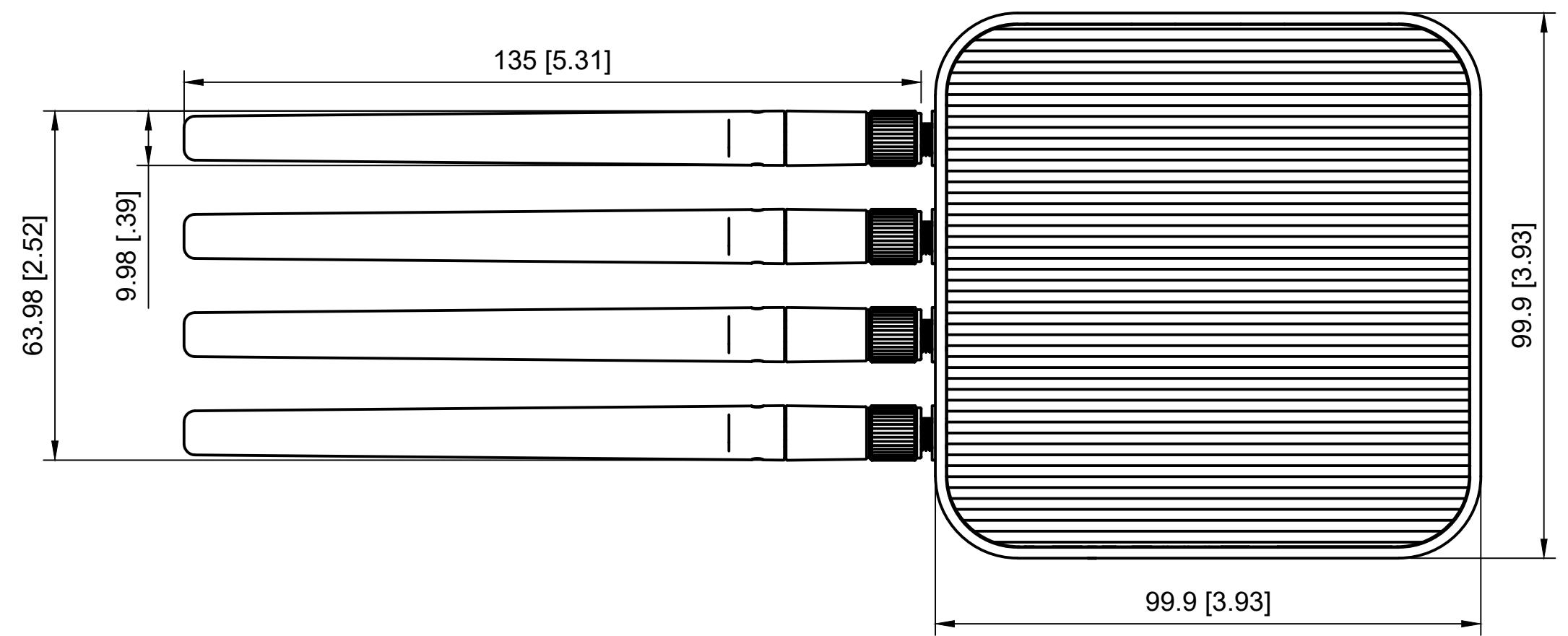
LEFT VIEW



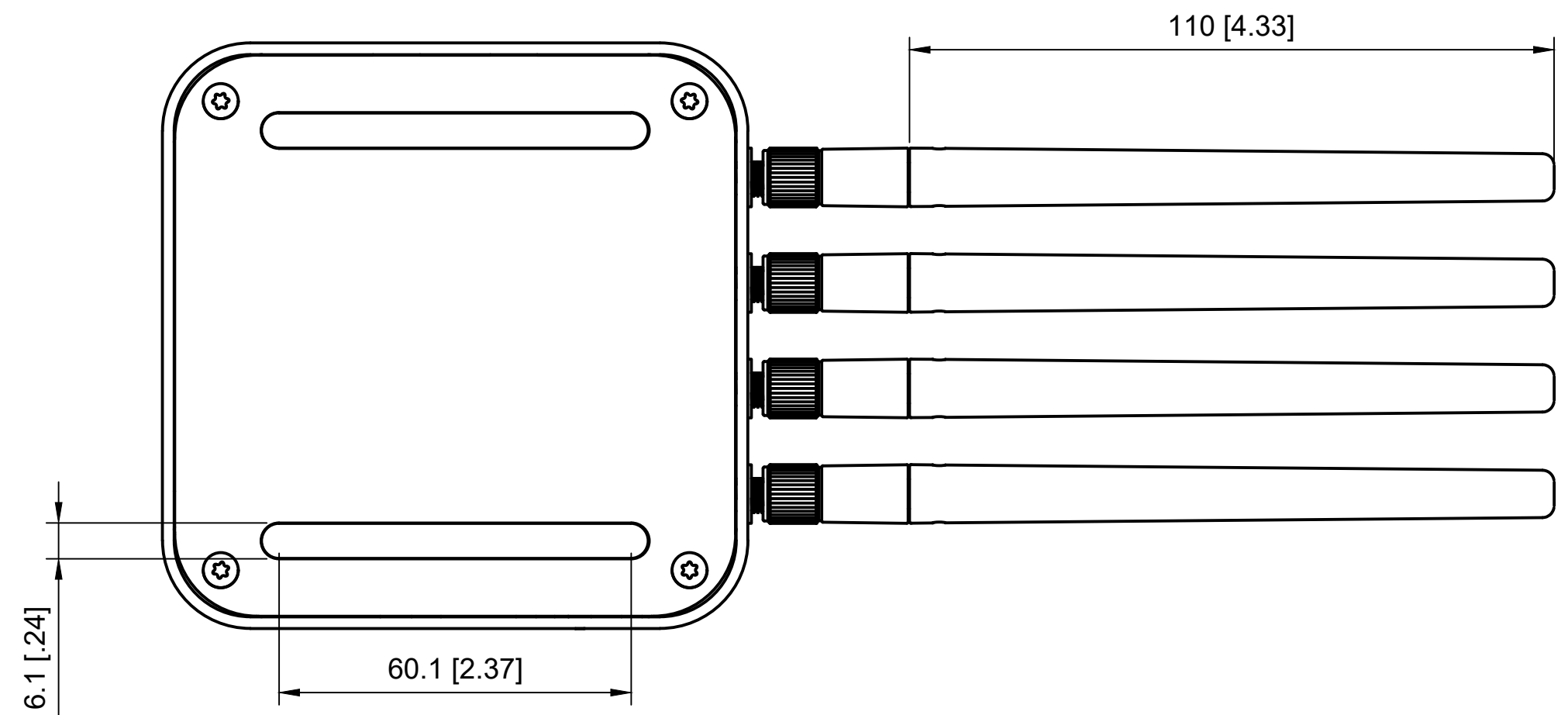
3D ISOMETRIC VIEW



TOP VIEW



BOTTOM VIEW



THIS DRAWING CONTAINS INFORMATION THAT IS PROPRIETARY TO SIXFAB INC AND SHOULD NOT BE USED WITHOUT WRITTEN PERMISSION					
Scale	Dimensions Units	Created by	Approved by	Created by	Approved by
1 : 1	mm [in]	Muhammed Aslan	10/24/24	Ensar Karabudak	10/24/24
General Tolerance			Third Angle Projection		
[0.1]					
Title			Documents Number		
ALPON X4					
Rev.	Size	Sheet			
1		1/1			



ALPON X4